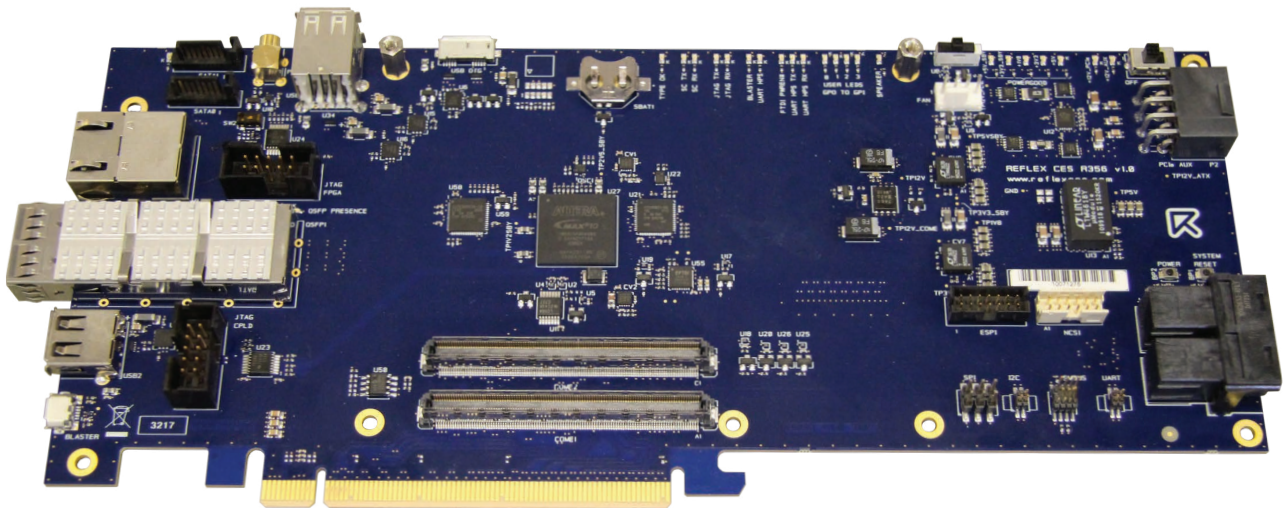


# PCIe Carrier board of the COMXpressGX/SX Stratix 10



- Evaluation carrier board with standard and high speed connectivity
- Designed to use quickly in server platform with PCIe x16 lanes
- Quad 10 GbE interface with Optical front end
- High-speed link : Quad 10 GbE interface with Optical front end, PCIe 3.0, SATA3, Mini SAS, USB 3.0

### Target applications:

IP prototyping	Industrial
Military and Aerospace	HPC and data center
Machine and Intelligent vision	Video Broadcast, Video application
Test & Measurement, Medical	Test & Measurement, Medical



### Contact :

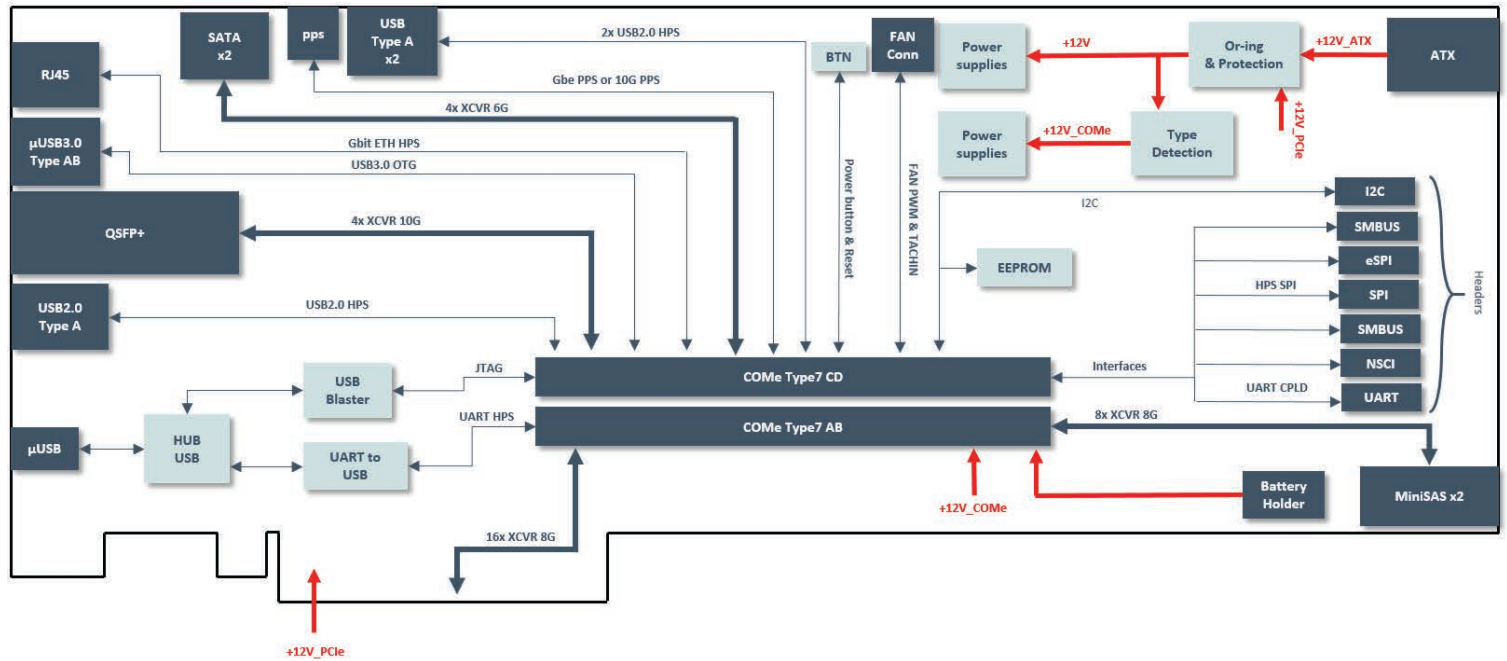
Europe Sales Office  
sales@reflexces.com

[www.reflexces.com](http://www.reflexces.com)

North America Sales Office  
salesusa@reflexces.com



# PCIe carrier board of the COMXpressGX/SX Stratix 10



## Full Specifications

### Configuration and Monitoring

- On board USB Blaster JTAG design
- USB connector interfacing UART bus and JTAG

### Communication Interfaces

- 1x Ethernet 10/100/1000 Base-T (HPS)
- 1x QSFP+ Optical link for 10/40GbE protocols
- 2x Serial SATA revision 3.0, 6Gb/s
- 2 x MiniSAS quad connector (1 HD SAS, 4 SATA HDD, NVMe interface capable)
- 1x Micro USB (On board USB Blaster, UART over USB)
- 3x USB2.0 Type A (HPS)
- 1x USB3.0 OTG Type A
- SPI, SMB, I<sup>2</sup>C, UART and 8 GPIOs on header connectors
- 1x PCI Express x16 (Gen 1, 2 or 3).
- 1x eSPI interface multiplexed over Intel Low Pin Count (LPC) Interface
- 1x Network Controller Sideband Interface (NC-SI) for host communication
- 1x RTC battery holder
- 1x Coax connector for PPS (pulse per second)

## Deliverables

- PCIe evaluation board with PCIe bracket
- Schematics
- VHDL test designs (included top level)

### Power supply

- 8-pin ATX Power supply connector with Oring protection

### Operating Range

- T° : -0°C / + 40°C

### Standards and compliance

- Full compatible with COMXpressGX/SX Stratix 10 module
- Form factor PCIe 3/4 length standard profile 253 mm x 98.40 mm
- RoHS/REACH compliant
- UL certified
- ISO9001 Facility



## Ordering information

Part number = COMXpressS10-FH00A

- Linux BSP for COMXpress SX Stratix 10 module.
- Mechanical files (3D DWF/STEP models and 2D drawing) (upon request)